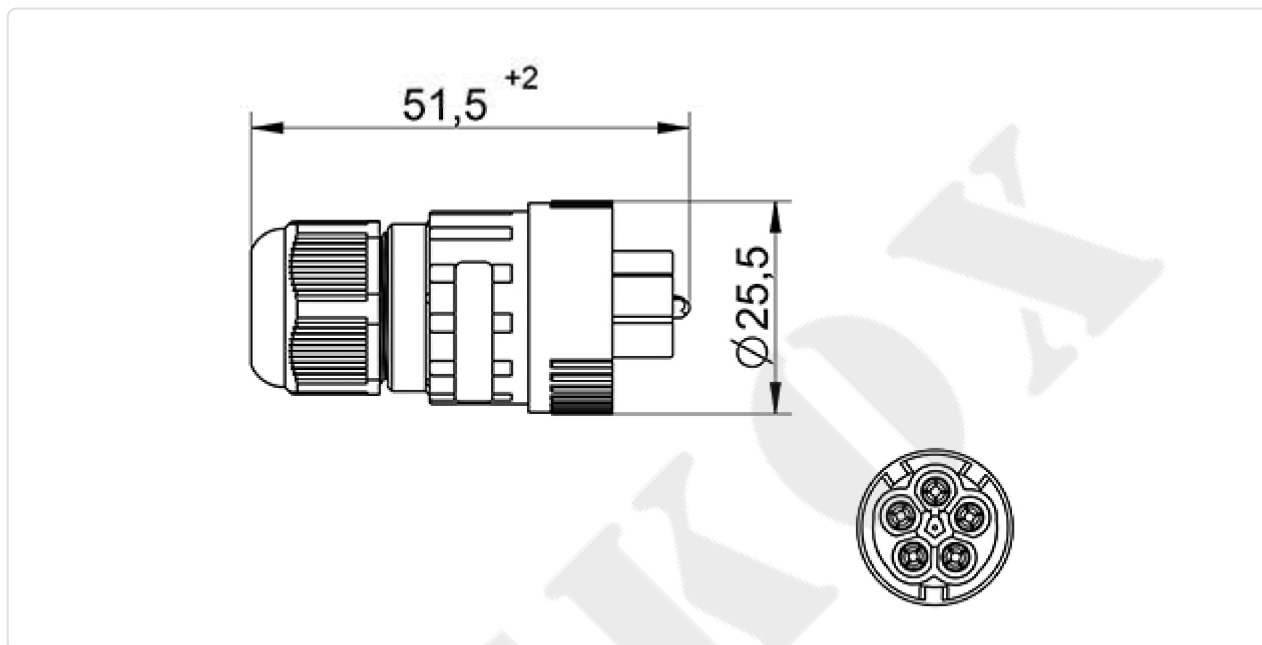


Conectores estancos IP68 WP68



WP5/HEM

Conector Aéreo hembra para montaje sobre conector en panel macho IP68 4 Polos + Tierra

<en/products/waterproof-connectors/>

Connection capacity: 0,5-1,5 mm²

Voltage: 450V

Temperature: -40°C +85°C

Constructive:

- Cable seals included Ø9,5mm, Ø11,5mm, Ø12,5mm.

Intensity: 15A

Poles: 4P+T

Type: Pluggable inline

